

Thermoplastic Granular Filter



Economical low maintenance filtration



Thermoplastic granular filters operate on the basis of “depth filtration”; dirt is driven through the sand bed and trapped in minute spaces between the particles of sand. Cleansing the filter simply requires turning the filter’s Multiport lever from the “filter” position to the “backwash” position, which reverses the flow of water in the filter, flushing the filter bed.

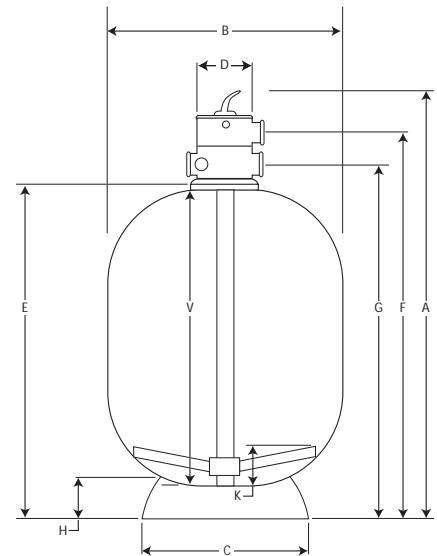
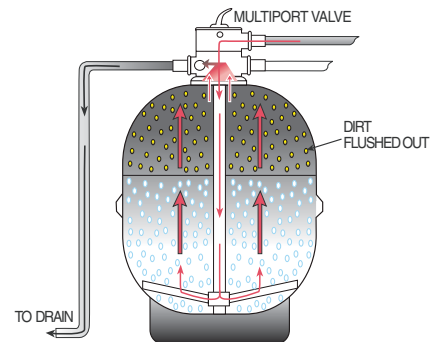
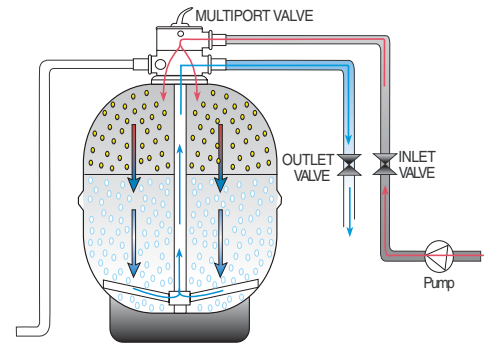
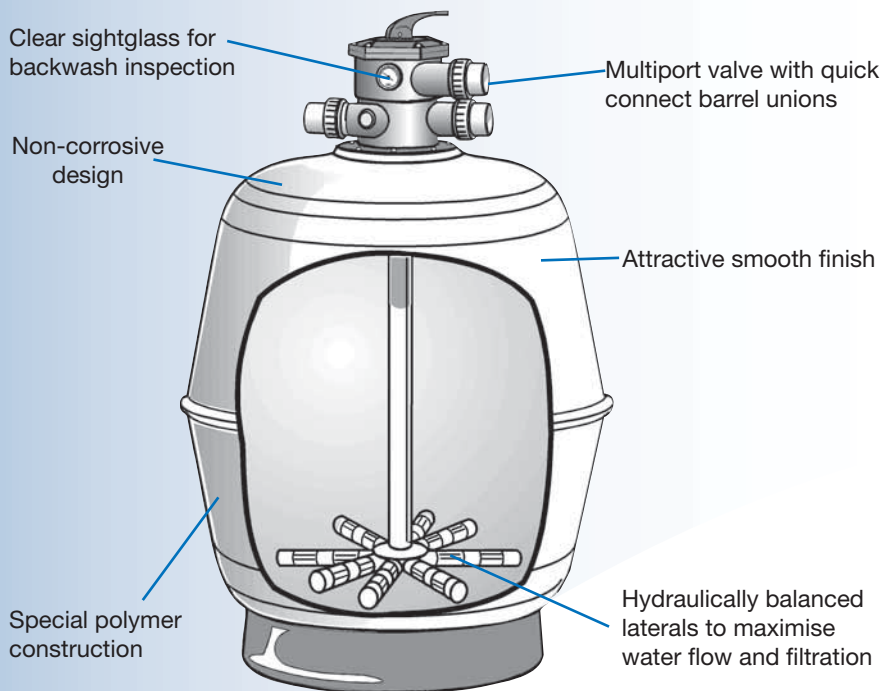
Thermoplastic Granular Filter

Thermoplastic Construction

Incorporating the latest advances in thermoplastic technology, Waterco Thermoplastic Granular Filters feature a polymer mix that's abrasion-proof for long lasting performance and durable protection against sand and water.

Easy Maintenance

Cleansing the filter simply requires turning the Multiport lever from the 'filter' position to the 'backwash' position.



Model No.	Inner Dia. (mm)	Valve Size (mm)	Filter Area (sq. m)	Media Volume (litres)	Backwash flowrate (lpm)	Sand 16/30 (kg)	Bed Depth (mm)	Max. Flow* (lpm)	Max. Pool Size (litres)
T400	400	40	0.13	27	94	40	160	101	36,200
T450	450	40	0.16	51	119	70	250	127	45,800
T500	500	40	0.20	62	147	90	250	157	56,500
T600	600	40	0.28	82	212	120	250	226	81,400

Model	A	B	C	D	E	F	G	H	V	K
T400	775	460	280	180	530	642	584	34	481	89
T450	840	504	280	180	595	707	649	30	530	112
T500	810	550	360	180	565	677	619	42	495	108
T600	847	650	450	180	602	714	656	70	539	115

*Residential pools